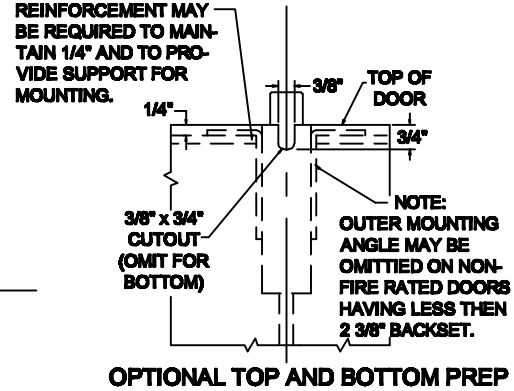
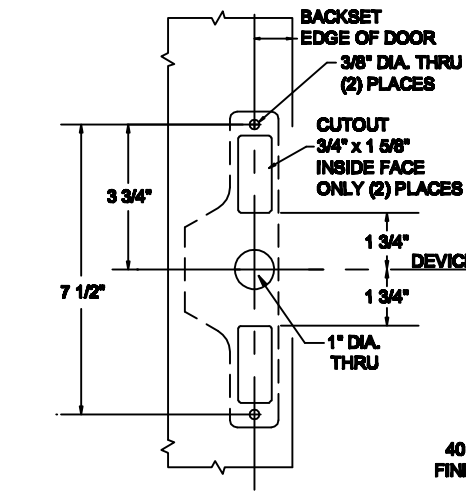
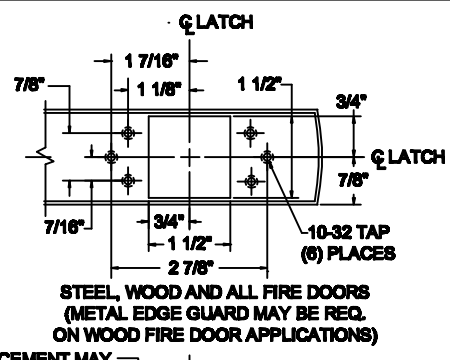
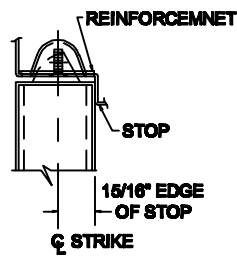
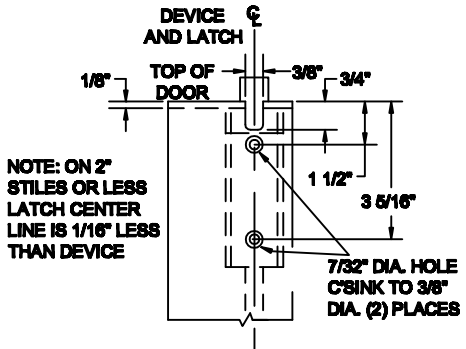
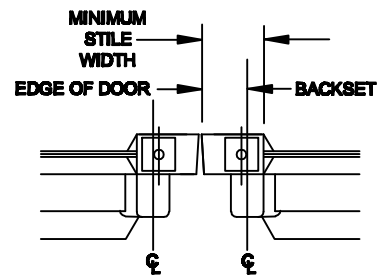
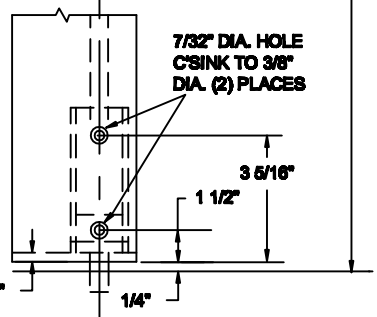


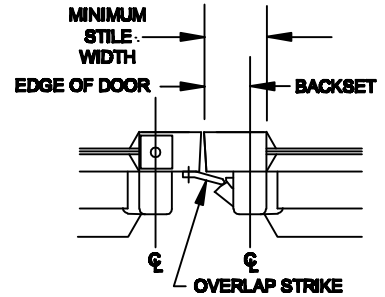
RHR SHOWN
LHR OPPOSITE



40 5/16" FROM FINISHED FLOOR OR 39 5/8" FROM BOTTOM OF DOOR USING 1/2" THRESHOLD



	BACKSET	MIN. STILE
MINIMUM	1 1/4"	2 1/16"
F9600	2 3/4"	3 3/16"



BACKSET	MIN. STILE
1 5/8"	2 7/16"

NOTES:

SEE MASTER SHEET #T-0001 FOR SUGGESTED DOOR REINFORCEMENT
SEE ADDITIONAL TRIM TEMPLATES FOR OUTSIDE TRIM (WHEN REQUIRED)
SEE T-9600WD AND T-9600WDEG FOR WOOD DOOR PREPS.

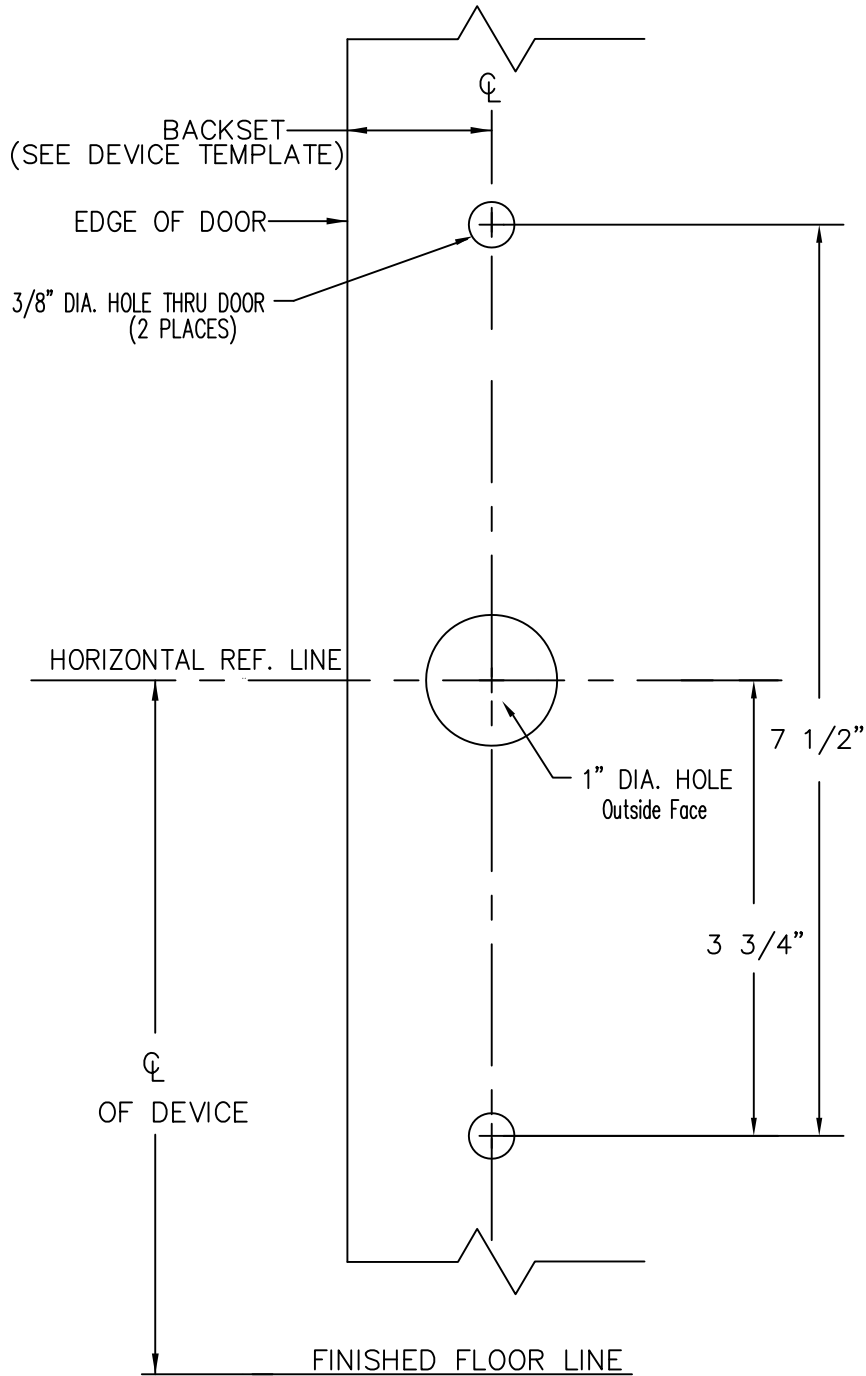
REV. No. 0 REVISION: DATE: 2-2-2010



9600 & F9600 x 23 & 25 TRIMS
CONCEALED VERTICAL ROD TYPE
EXIT DEVICE

TEMPLATE NUMBER
T-9604©

RHR SHOWN
LHR OPPOSITE



NOTES:

1. SEE MASTER SHEET #T-0001 FOR SUGGESTED DOOR REINFORCEMENT.

REV. No. 1

REVISION:

Lever Style Notes

DATE: 1-22-2014



Z*23 TRIM

Note; * Denotes all Lever Design Styles

TEMPLATE NUMBER
T-9033①